



Black Creek Model PSD-5B TSI PRISM™ OFFICER TAG



integrity - innovation - quality



Product Overview

With an expanded feature set, available sub-meter tracking accuracy and reduced price point, the Black Creek TSI PRISM™ PSD-5B Officer Tag is the clear technological leader among correctional officer safety and duress products. Unlike competitive offerings that can provide only zonal duress notifications, the PSD-5B Officer Tag, in conjunction with TSI PRISM™ RTLS application software, provides real-time officer duress or man-down annunciation and officer location tracking history with an unmatched level of location precision resulting in improved officer safety and job performance.

In addition to its duress and location tracking capabilities, the TSI PRISM™ PSD-5B Officer Tag, in conjunction with TSI PRISM™ RTLS application software, also provides real-time Watch Tour functionality without the need for officers to scan

fixed location bar codes or RFID tags. Watch Tour performance compliance is documented in conventional time-stamped reports as well as in multimedia files that allow the playback of tours in a graphical, animated format.

An integral NFC Tag is provided to facilitate mapping of the device to individual staff members.

The PSD-5B's design that includes tough, ABS plastic components and a conformal-coated printed circuit board ensures a long life in a corrections environment. A heavy-duty, rechargeable lithium-ion battery provides approximately three days of usage under normal operating conditions and recharge times that average less than six hours using the supplied portable charger.

BLACK CREEK INTEGRATED SYSTEMS CORP.

E-MAIL: SALES@BLACKCREEKISC.COM **WEB:** WWW.BLACKCREEKISC.COM

TELEPHONE: 205.949.9900 **FAX:** 205.949.9910

Specifications

MECHANICAL

Housing

- Shell – Hypo-allergenic ABS Plastic

Total Device Weight – 6oz [170 g]

APPROVALS

- FCC (United States)
- CE (European Economic Area) (Pending)

ENVIRONMENTAL RATINGS

- Operating Temperature Range – -10° to +60° C
- IP44 - Splash resistant
- Withstands random drops to concrete of over 6 feet

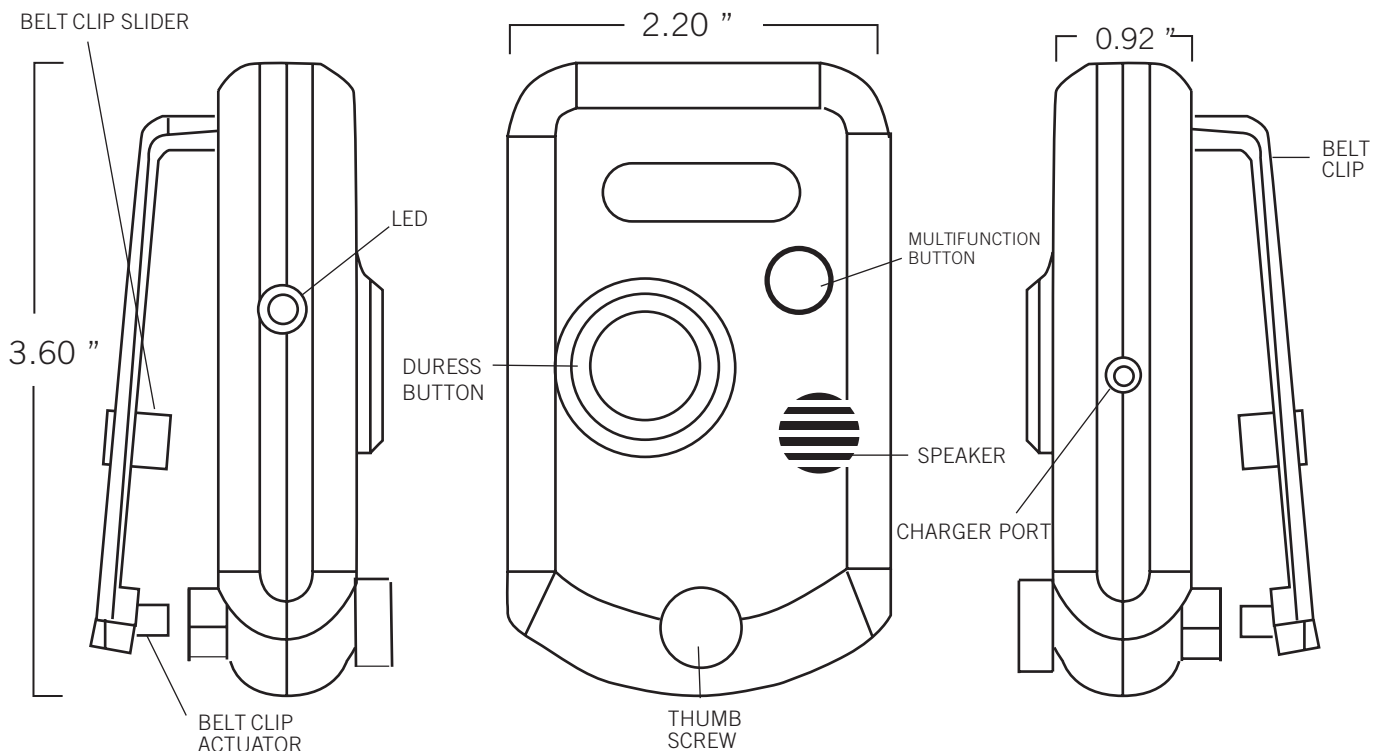
COMMUNICATIONS

- ISM 2.4 GHz, two-way transmission
- Back-channel programmability
- Over-the-air upgradeable

Features

- Designed for correctional use
- Mounts to duty belt sizes up to 2"
- Multifunction Button - programmable, e.g. used to indicate start and completion of watch tours
- LED Indicator - Indicates battery recharge required
- Integral NFC tag for interface to commissary or third party point-of-sale systems
- Battery
 - 3 day life with normal use.
 - Rechargeable with supplied charger
 - Recharge time - less than 6 hours
- Alarms
 - Duress - Indicates the duress button was pressed
 - Man Down - Indicates device angle greater than 60° from vertical (pre-alarm alert on device prevents false alarms)
 - Removal - Indicates removal from belt
 - Low Battery - Indicates imminent battery failure

Dimensions



SHOWN FULL SIZE

Subject to change without notice.

