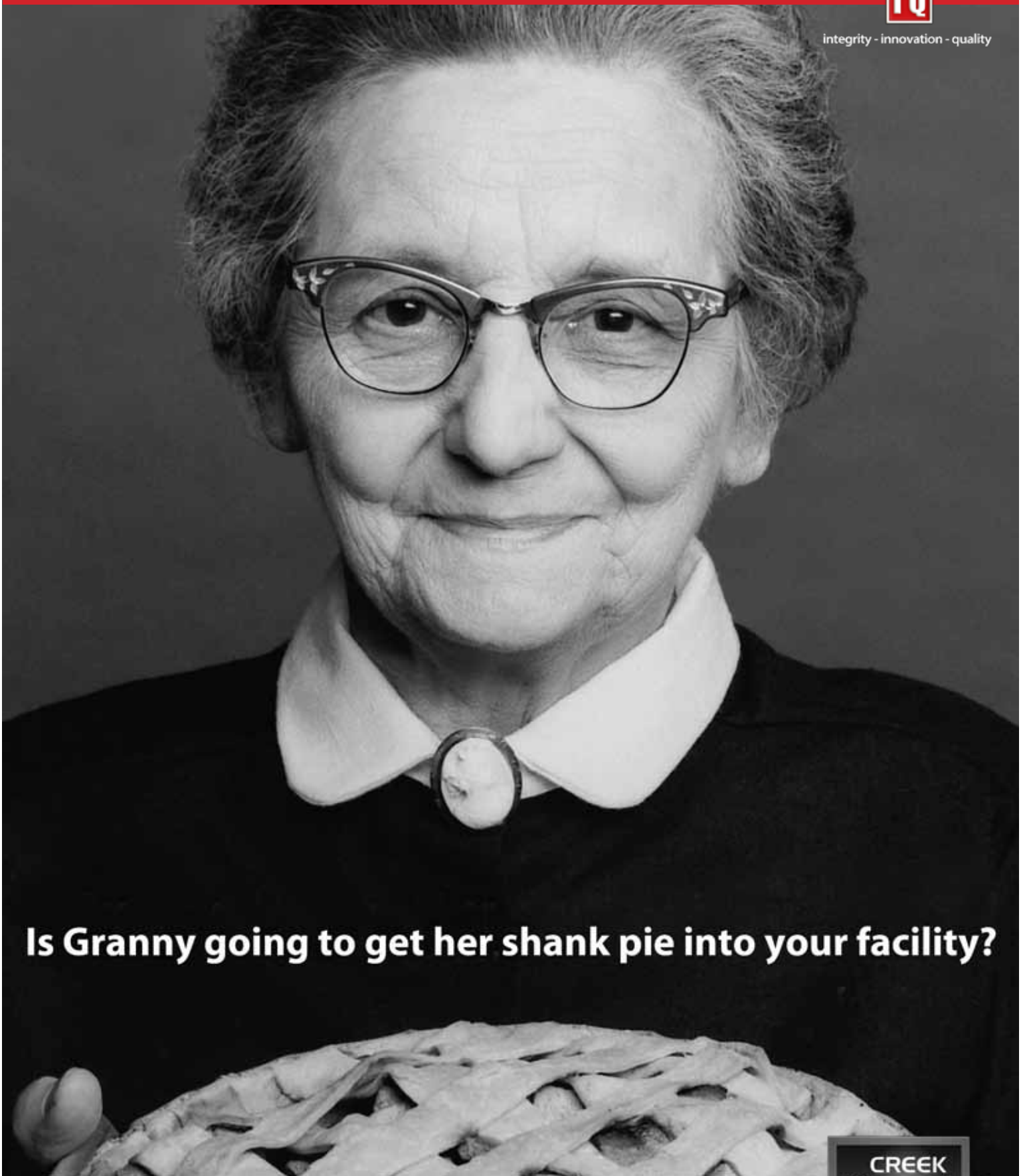




integrity - innovation - quality



Is Granny going to get her shank pie into your facility?

IP Visitor[®]

VIDEO VISITATION SYSTEM



IP Visitor[®] Video Visitation System

F R O M B L A C K C R E E K I N T E G R A T E D S Y S T E M S

Black Creek's IP Visitor[®] Visitation System is technologically superior to any other video visitation system available. It is a modern solution to significantly increase facility security, make the visitation process more comfortable for the public, reduce the staff required to oversee it, and even generate revenue for a facility.

Voice and video streams in a visitation session are fully digitized, synchronized, encrypted and configured for transmission over conventional data networks and over the internet using TCP/IP transmission standards. Black Creek's IP-based

connectivity allows family members to visit either from the comfort from their homes or off-campus family friendly centers, making the process less intrusive to a jail's operations. Attorneys can visit privately from offices or courthouses and arraignments can be conducted securely.



Black Creek's biometrically controlled admission process uses electronic fingerprint capture and photo ID registration of all public visitors, so you will always know who is visiting your facility.



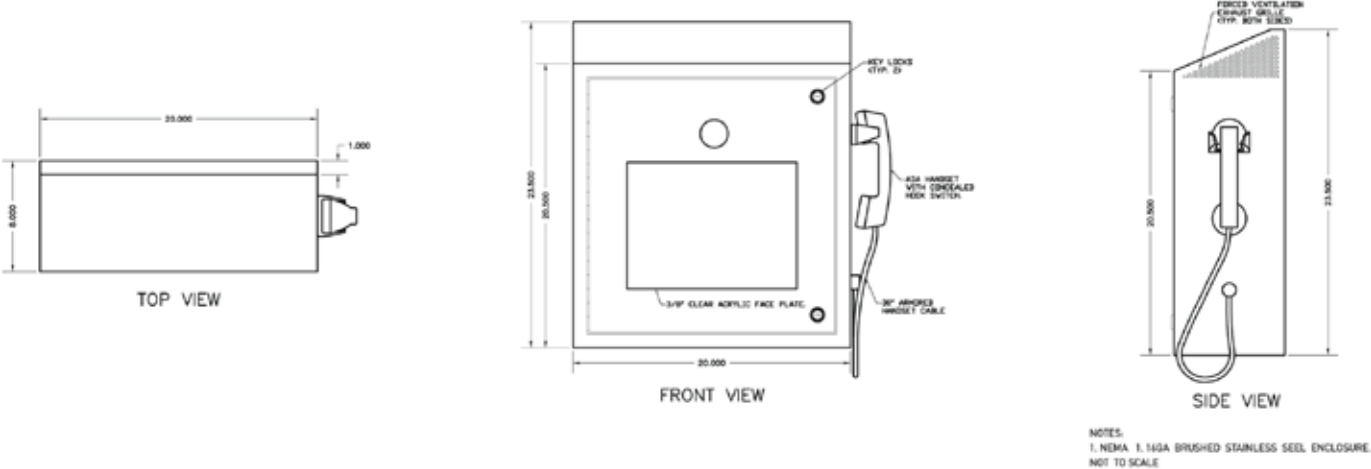
WITH TIGHT BUDGETS, CORRECTIONAL AGENCIES ARE INVESTING IN LAN-BASED VIDEO VISITATION SYSTEMS TO REDUCE COSTS, ENHANCE SECURITY AND EVEN GENERATE REVENUE.

Available plans allow for owner, or Black Creek, hosted visits to meet the financial needs of the correctional agency. Black Creek's software automatically checks both hardware and software to ensure a high-quality visit and automatically connects the visit when optimum system parameters are met. Each facility can easily configure visiting locations, durations, availability parameters and more. IP Visitor can be integrated into a facility's jail management system, allowing visits to be scheduled with an email confirmation sent to the visitor, all without facility staff involvement. Each agency registers users and assigns individual usernames and passwords for system access.

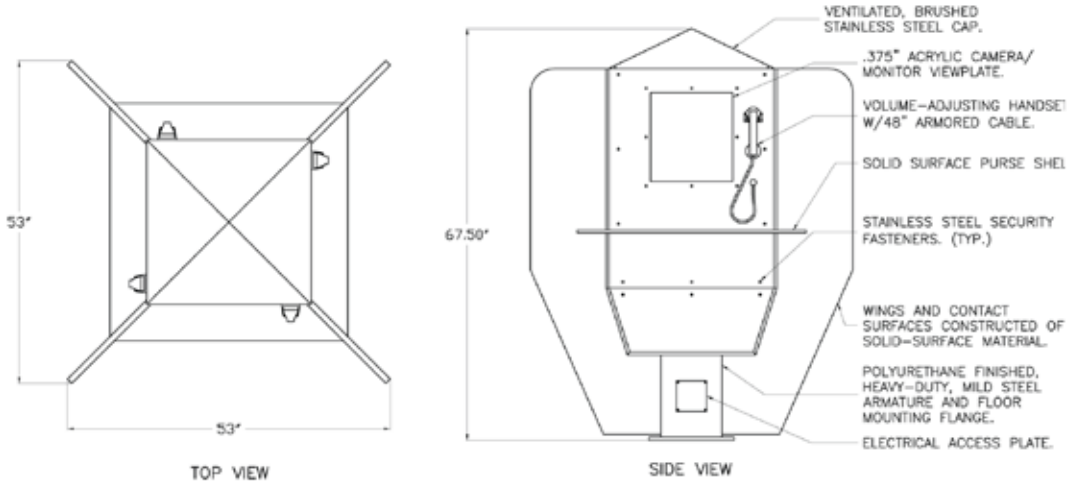
Available plans allow for owner, or Black Creek, hosted visits to meet the financial needs of the correctional agency. Black Creek's software automatically checks both hardware and software to ensure a high-quality visit and automatically connects the visit when optimum system parameters are met. Each facility can easily configure visiting locations, durations, availability parameters and more. IP Visitor can be integrated into a facility's jail management system, allowing visits to be scheduled with an email confirmation sent to the visitor, all without facility staff involvement. Each agency registers users and assigns individual usernames and passwords for system access.

Inmate Visitor Hardware

Inmate Station



Public Visitation "Quad Pod"



Inmate Visitor Hardware

INMATE STATION

This rugged wall-mount station (also available in roll-around wired and cordless signal versions) is used inside the facility for inmates to receive video visits. It is constructed of brushed stainless steel and Lexan® and designed to function in a detention environment with little or no maintenance. It will eliminate inmate-visitor contact and restrict the passing of contraband common to the conventional visitation process.



FAMILY / HANDICAPPED VISITATION BOOTH

We know there are times when a family visit or a public visitor's handicap might prevent the use of a standard public visitation station. Black Creek has accommodated these needs with the installation of a special, sound-proof visitation booth that allows handicapped individuals and up to 10 family members to comfortably visit in a hands-free manner.



PUBLIC VISITATION "QUAD POD"®

In the public visitor center, Black Creek's multi-station visitation pods have been installed to allow the public to come and visit inmates in a non-demeaning environment. Each pod has four stations allowing four different visitation sessions to occur simultaneously and with relative privacy. The compact design allows the most visits while using less space and the Corian® contact surfaces are sturdy and easy to clean.

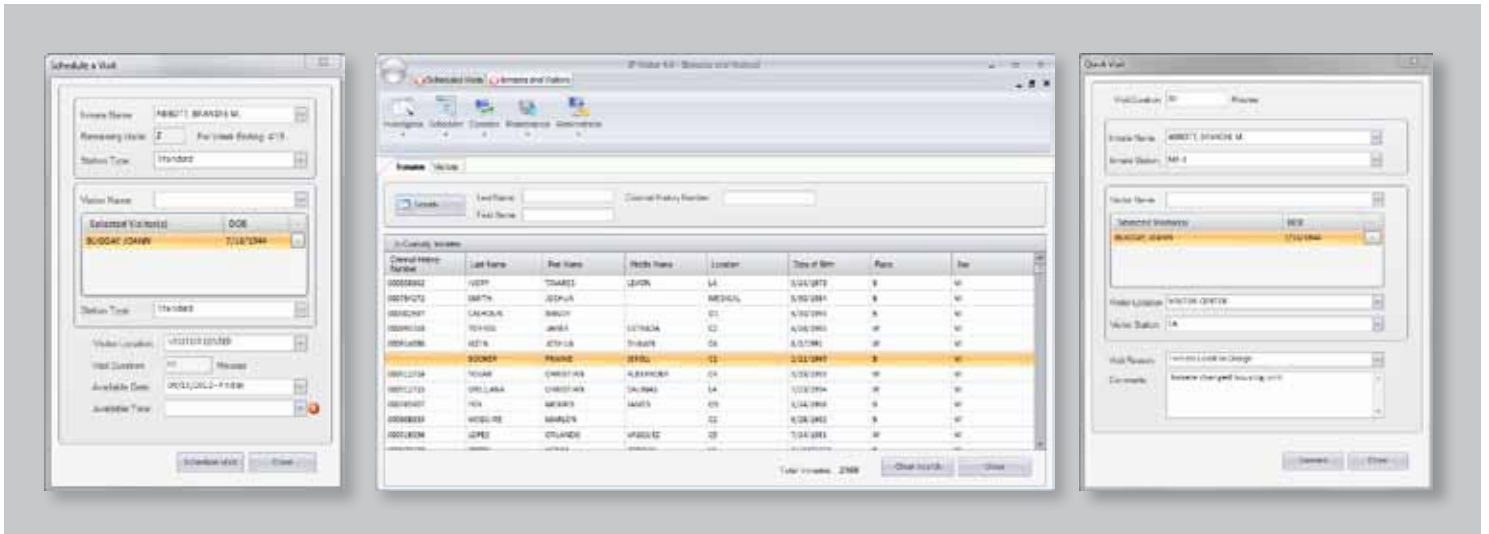


ATTORNEY/PRIVATE VISITATION BOOTH

We realize that many times an attorney, public defender or other professional might wish to have a private conversation with an inmate. This visitation center utilizes private professional visitation rooms where visits can be conducted in total privacy with the professional without having to enter the correctional facility. Booths are installed in remote courthouses to allow attorneys to conduct video conferences in between court sessions.

IP Visitor[®] Software Suite

The true value of any video visitation system is measured by the capabilities of its software, and Black Creek's IP Visitor[®] Software Suite is the most sophisticated in the industry. The IP Visitor[®] Software Suite was designed to let you operate your visitation operation with fewer staff while maintaining higher levels of security, accountability and services to the visiting public compared to other manufacturers' systems. A partial list of those capabilities follows:



STANDARD OPERATING FEATURES

- IP-based video visitation
- Visit scheduling
- Real-time visit monitoring
- Visit recording (requires additional hardware)
- Recording playback/exporting
- Operator visit interruption
- Visitor call-ins to operator
- Biometric visitor verification
- Wanted and disapproved visitor alerts
- Visit time display for public
- Visitor/Inmate information management
- Operational and maintenance reports
- Automated system backups
- Automated software updates
- System alerts/alarms

HIGHLY FLEXIBLE SETUP

- Customized visit durations based on location or inmate classification
- As available or block time scheduling
- Owner configurable station naming conventions
- Owner configurable bits/second transfer rate

ADVANCED SCHEDULING FEATURES

- Streamlined inmate search function
- Automatic display of available visit dates and times based on inmate and equipment availability
- Automatic booth assignment based on visit type e.g. professional, family
- Approved visitor lists per inmate
- Automatic professional visitor recognition assures confidentiality of visit and allows more flexible visit durations
- Ad Hoc scheduling capabilities

STAFF SAVING FEATURES

- Visits start and stop automatically with no staff interaction
- Large LCD scheduling monitor lists public visitors' names, booth numbers and visit start times, reducing staff interaction with public
- Public visitors' names and visit start times are displayed on individual public stations
- Inmates' names and visit start times are displayed on individual inmate stations
- Biometrically controlled admission to visitation center eliminates the necessity to check visitor IDs

- Centralized monitoring of ongoing visits
- Automatic notification when previously scheduled visits are cancelled due to changes in inmate availability
- Inmate Roster shows inmates when to appear for visits

HIGH-LEVEL INTEGRATION WITH EXISTING JAIL MANAGEMENT SYSTEM

- Inmate Locations
- Date/Time scheduling exclusions based on inmate availability (court, sick call, disciplinary action, etc.)



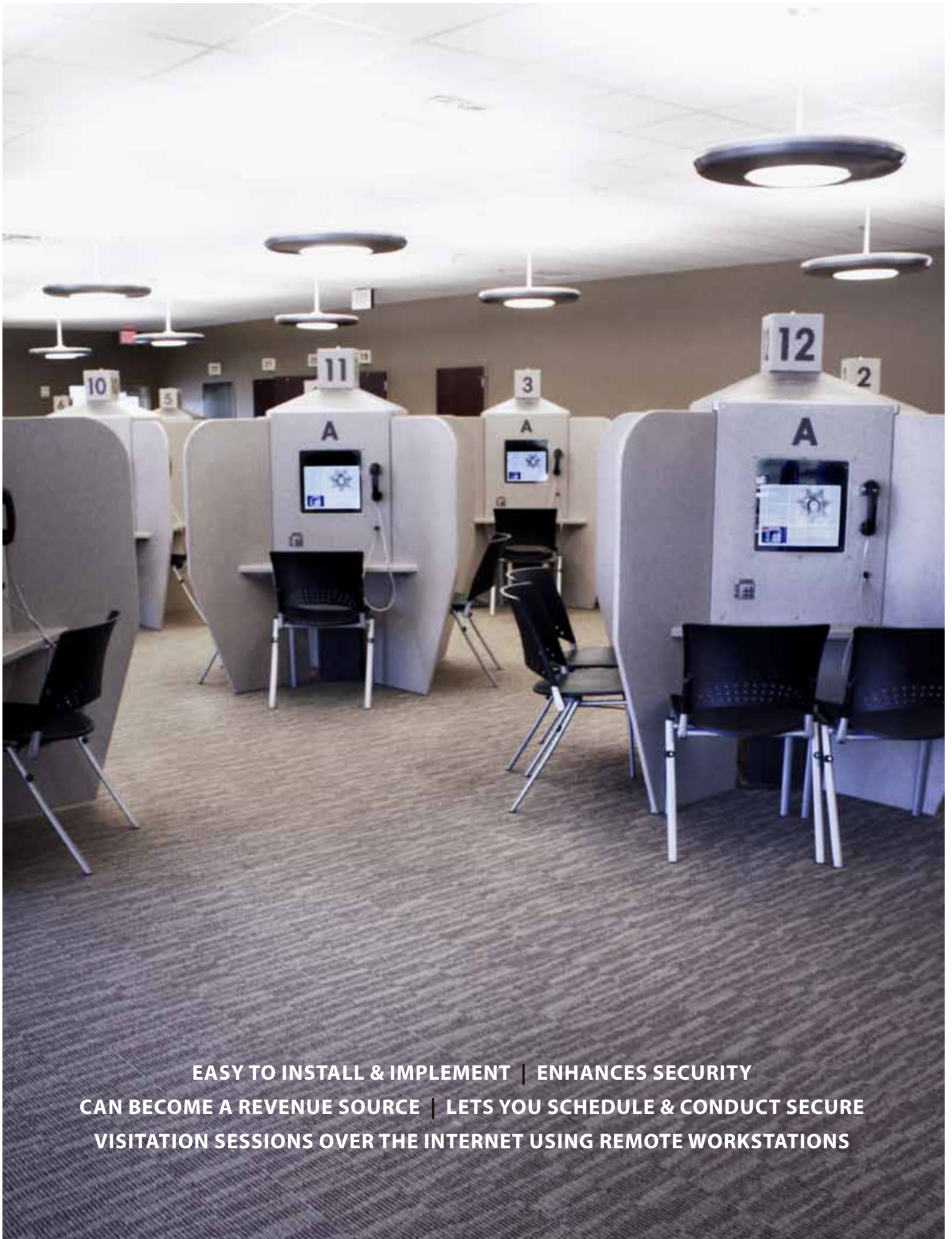
STANDARDS COMPLIANCE

- 1024 x 768 resolution
- WMV recording file format allows recorded videos to be replayed using Windows Media Player® System
- Operational Groups
- Operator – Quickly enroll visitors with photo and finger print capture and manage visit sessions throughout the day
- Scheduler – Schedule and maintain future visits
- Investigator – Monitor ongoing or historical visits and easily export visits from the system to DVD
- Maintenance – Remotely maintain system and run maintenance reports and setup power management features

NEW REVENUE MODULE

- Allows agencies to charge for remote visits conducted over the internet
- Web-based user scheduling. Requires no interaction with facility personnel.
- Configurable fee structure per user type
- No minimum monthly visits contract requirements
- Monthly disbursement of visitation revenues with detailed statement





**EASY TO INSTALL & IMPLEMENT | ENHANCES SECURITY
CAN BECOME A REVENUE SOURCE | LETS YOU SCHEDULE & CONDUCT SECURE
VISITATION SESSIONS OVER THE INTERNET USING REMOTE WORKSTATIONS**



BLACK CREEK INTEGRATED SYSTEMS CORP.

Post Office Box 101747 • Irondale, Alabama 35210

T 205.949.9900

F 205.949.9910

www.blackcreekisc.com

sales@blackcreekisc.com